

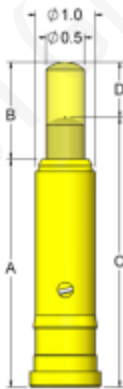
Board to Board Connectors

Board to Board interconnect featuring, for surface mounting, surface compression and through hole connecting. Customized design for OAL, reflection and force, etc.

Magnet free design available for application of medical connection.

Standard power charge connectors

Uigreen's power charge connectors feature spring probe contact and ensure stable connections with long life span and high current capability, 2 or 4 contacts in square or rectangle shape.



Item	Specification	Comments
Current	Max 2A	Continuous
Voltage	AC/DC 12V	
Contact Resistance	50mohms Max	Under Working Travel
Withstand Voltage	AC 500V 1 Min.	Current 3mA
Temperature Range	-40°C~+85 °C	Continuous
Bandwidth	5.0 GHz	-1dB
Pull Force	Plunger Max. 4.0 N pull out	
Life Span	100,000	To working travel
Soldering Temperature	350°C 3 seconds	

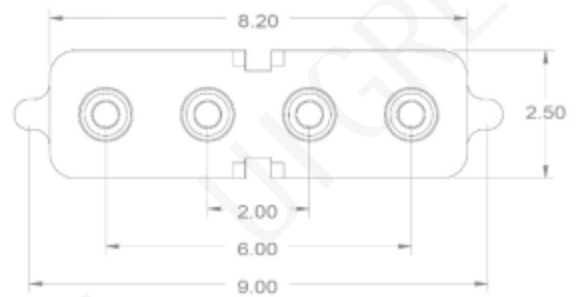
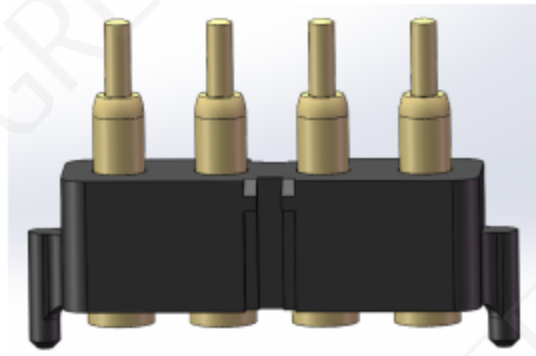
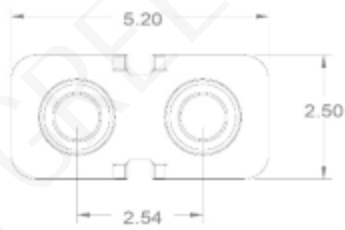
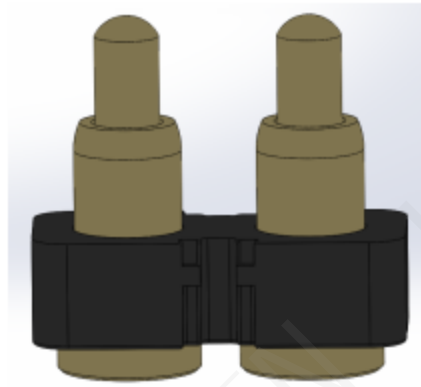
TYPE	Working Length	Loaded Force	Current	A	B	C	D	E
0072-01	3.8	60g	2A	3.5	0.8	3.8	0.5	1.2
0072-02	4.3	60g	2A	4.0	1.0	4.3	0.7	1.2
0072-03	4.7	65g	2A	4.2	1.3	4.7	0.8	1.3
0072-04	5.0	65g	2A	4.5	1.5	5.0	1.0	1.3
0072-05	5.3	65g	2A	4.8	1.7	5.3	1.2	1.3
0072-06	5.5	75g	2A	5.0	2.0	5.5	1.5	1.5
0072-07	6.0	75g	2A	5.5	2.5	6.0	2.0	1.5

1X2 Pins Connectors

(Probe 0072-XX is loaded as contact)

1X4 Pins Connectors

(Probe 0072-XX is loaded as contact)



- Plastic Housing materials: Black PPA (G40% Glasses), UL94 HB
- All dimension tolerance is 0.1mm
- The specification may change without before notification