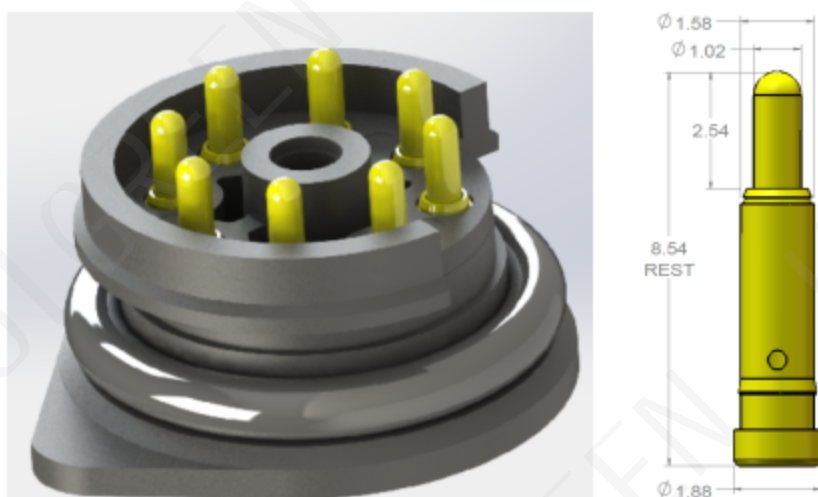


Customized board to board Connectors

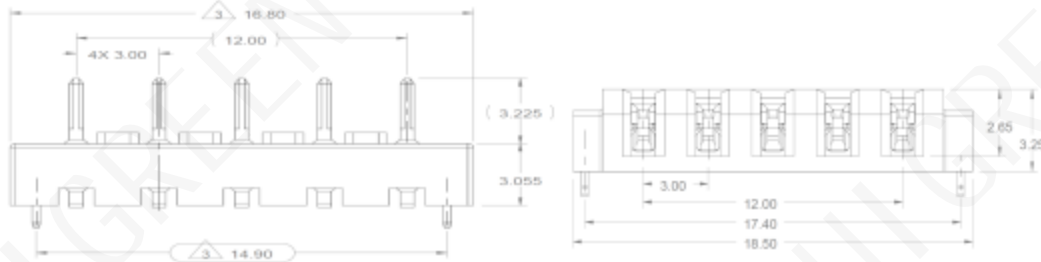
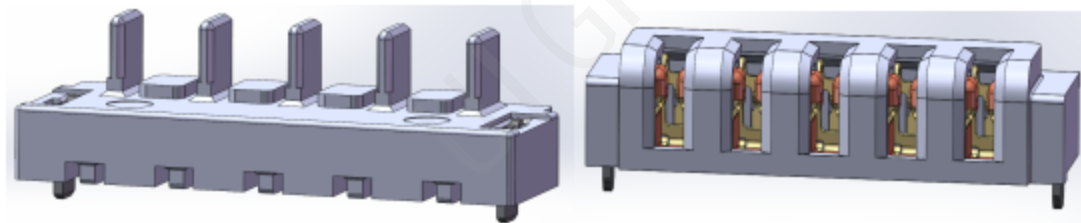
Through customers' requirements on micro connections, Uigreen can customize circular and rectangle board to board connectors with spring probe contact, precision stamping contacts. The products are widely applied in electronic SMT, portable and intelligent home devices industry. Water proof IP67 connector available.

Circular connector MTC10009-00



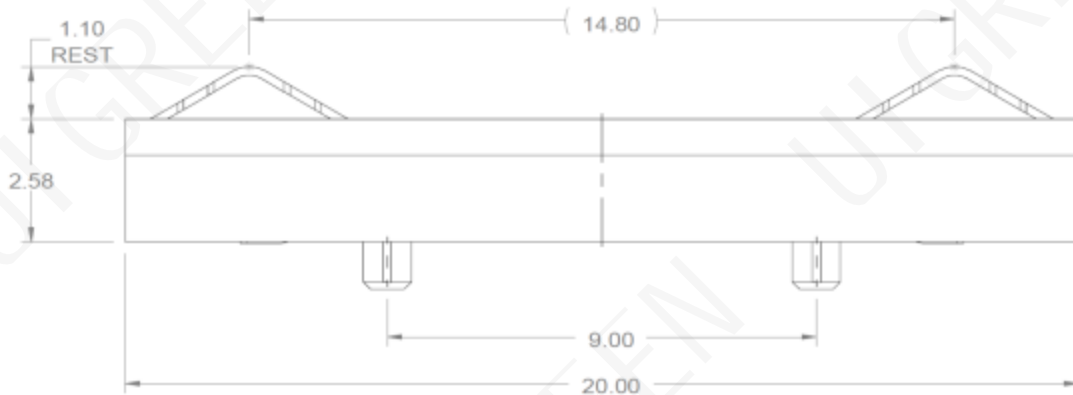
Criteria	Specification
Contact Working travel	1.52 mm
Contact max travel	2.49 mm
Contact Working Resistance	TARGET: 50 mOhms Max
Waterproof	IP67
Push-out force	900g \pm 20%
Base material	LCP
Bandwidth (S21)	>5 GHz@-1dB
Voltage	5V DC
Current carrying	2.0A @25°C

Blades Male Connector MTC10028-00



Criteria	Specification
Contact Working Resistance	TARGET: 10 mOhms Max
Base material	LCP (UL94 HB)
Voltage	12V DC
Current carrying	5.0A @55°C
Life cycle	100K

SMT Connector MTC10067-00



Criteria	Specification
Contact Working travel	1.52 mm
Contact max travel	2.49 mm
Contact Working Resistance	TARGET: 50 mOhms Max
Waterproof	IP67
Push-out force	900g \pm 20%
Base material	LCP
Bandwidth (S21)	>5 GHz@-1dB
Voltage	5V DC
Current carrying	2.0A @25°C